

## We bring you and your ideas further

In professional life and in everyday life, the connection to nature is particularly important to us. We value the economical use of resources and the use of alternative and recycled raw materials. As an engineering office for mechanical engineering, we invite you to work with us on the subject. We offer you solutions for the implementation of research results in the application of new materials in products. We support you in the development and construction of products, technical equipment and machines until they are ready for series production. We offer you:

Well-founded technical advice, engineering, coaching for your investment projects

- Planning of technical investments, machine planning, factory moves
- Functional machine safety according 2006/42/EG Machinery directive
- Plastic technology, design of Moulding injection tools
- Own development project: Product lifecycle, Recycling and organic degradation of organic plastic
- Dokument control for energy industry

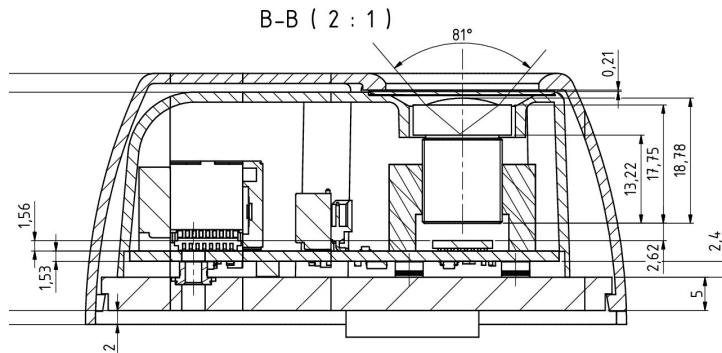
Pictures and projects are complete confidential.



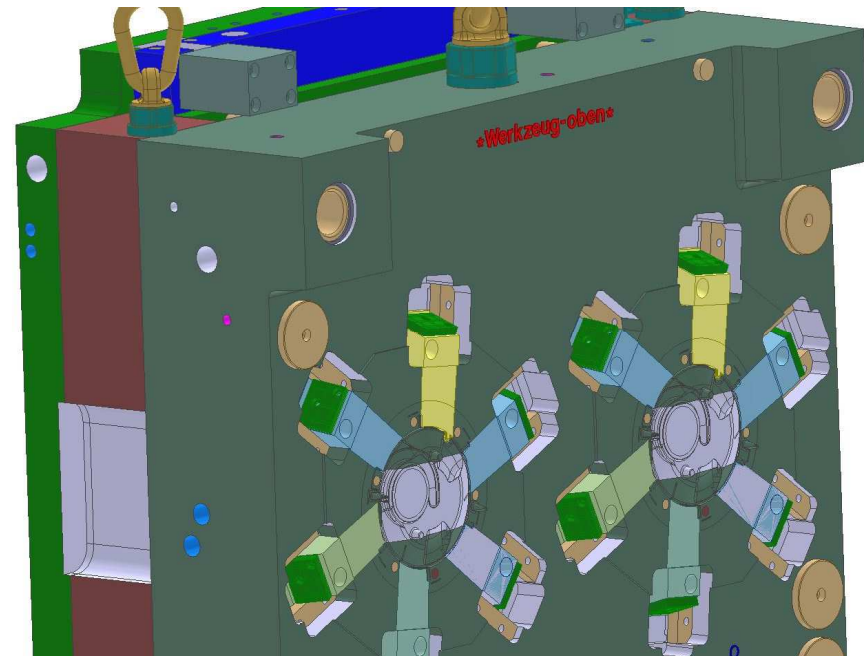


## Examples:

Product development and design process, modern attractive design of plastic components in connection with electronic assemblies



Planning, design, precise and efficient construction of injection molds over many years



## Beispiele:

Product development, modern, attractive design of plastic elements and measuring devices for air pressure and humidity in the field of precision engineering



Own development project: Product lifecycle, Recycling and organic degradation of organic plastic

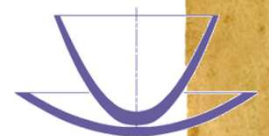
### Abbaubarkeit:



- rückstandslose Verrottung
- Kompostier- und Verbrennbarkeit
- Umweltverträglichkeit

- Outdoor- und Wegwerfprodukte (Gefäße, Verpackungen, Geschirr)
- Produkte für Landschafts- und Gartenbau

Die Natur  
{ holt es sich  
zurück.



## Ingenieurbüro für Maschinenbau

- Founded in March 2008
- by Dipl.-Ing. (FH) Janet Händler
- address: D-09429 Wolkenstein, Markt 15, Germany
- Freelancer



I enjoy it to lead and to teach people, people to advice. So I like people to pass on my knowledge and skills of more than 20 years work experience:

Professional founded technical consultation for quick decision-making, projectlead, projectcontrolling in compliance with deadline, quality and expenses of your investment projects:

- Investment planning in compliance with expenses, production and factory relocations
- Product development and design process, modern appealing design of plastic components in connection with electronic moduls.
- Planning, concept, precise design of moulding injection tools for many years.
- Product development, modern appealing design of plastic parts and measuring devices for air pressure and humidity range of Cylinder head covers for engines



- Support projects in design of rail vehicles
- Planning, concept, design of security related welding construction for load handling devices and vehicles
- Planning, concept, consultation to production and design of welding devices for moduls of convertible tops
- Planning, concept, modern appealing and effective design of conveyor and bunker systems for the food industrie
- Product development and design process, modern appealing and functional design of cylinder head covers for engines
- Investment planning, concept, precise design of machines to produce keys
- Realize concepts in compliance with expenses from interior designer for museums and exhibitions, prepare of production
- Dokument control for energy industry



## High Level Workshops

- Individual, practical, exactly related to the work task and immediately applicable further education of your young and open-minded employees in methodical design, CAD- Design, technical drawing, practice of designing
- Fast and effective qualification for working task
- Suitably coordinated accompanying documentation

## Target group

- Industrie and medium-sized companies with requirement to support their investment projects
- Management consultant
- Engineering offices and development service providers
- Companies of further education
- In Germany and worldwide, business language English







Natur  
& Technik®

## Ingenieurbüro für Maschinenbau

Gestaltung/Konstruktion  
Technische Ingenieur-Dienstleistungen

Janet Händler Dipl.-Ing. (FH)

[www.natur-technik.eu](http://www.natur-technik.eu)

Markt 15

D- 09429 Wolkenstein

Tel.: 037369/879978

Fax: 037369/879979

Email: [info@natur-technik.eu](mailto:info@natur-technik.eu)

May of 2023

